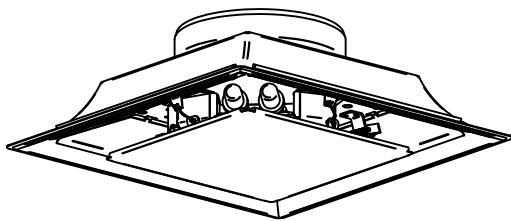
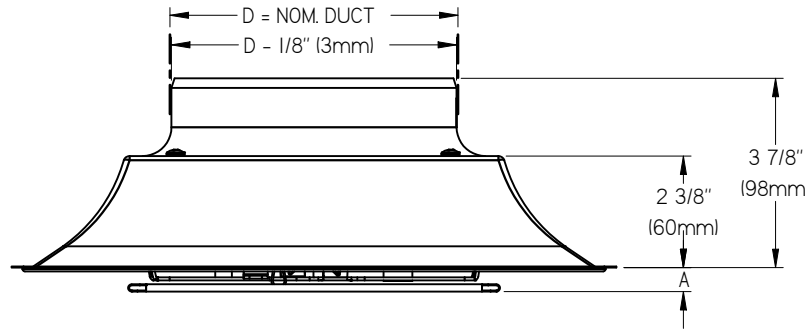


TK - Therma-Fuser™ VAV DIFFUSER Thermal 12⁷/₈" / 300mm / 325mm Square Plaque Diffuser With Blade Dampers



CEILING MODULE	A
12 7/8" x 12 7/8"	1/2"
300mm x 300mm	25mm
325mm x 325mm	13mm

CEILING MODULE:

- 12⁷/₈" x 12⁷/₈"
- 300mm x 300mm
- 325mm x 325mm

NOMINAL DUCT SIZE:

- 6" (152mm)

STANDARD CONSTRUCTION:

- STEEL CONSTRUCTION

OPERATION:

- HC - VAV HEATING AND COOLING
- C - VAV COOLING ONLY
- D - MANUALLY ADJUSTABLE
- RA - MATCHING RETURN

SETPOINT RANGE:

- STANDARD RANGE FOR HEATING AND COOLING
70 TO 78°F (21 TO 26°C)
- HCSP - HIGHER COOLING RANGE
74 TO 80°F (23 TO 28°C)
- LHSP - LOWER HEATING RANGE
64 TO 73°F (18 TO 23°C)
- HCLH - HIGHER COOLING AND LOWER HEATING

FINISH:

- B12 - WHITE
(OPTIONAL FINISHES AVAILABLE)

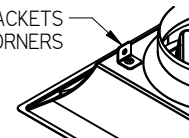
OPTIONAL REMOTE ADJUST:

- DAM - DIGITAL WALL ADJUSTER, MASTER UNIT, INCLUDES ADJUSTER AND 35 FT. (10.7m) CABLE
 - CPL - COVERPLATE TO INSTALL DAM WALL ADJUSTER IN STANDARD 2"x4" (51mm x 102mm) ELECTRICAL BOX
- WAM - WIRELESS WALL ADJUSTER, MASTER UNIT
- DA - SECONDARY UNIT, RESPONDS TO SIGNAL FROM DAM OR WAM MASTER UNITS
- DAM AND WAM REQUIRE 24VAC POWER INPUT

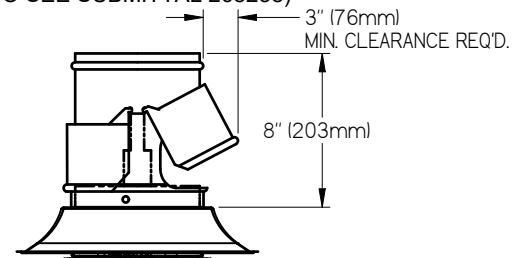
OPTIONS:

- AFI - FIBERGLASS INSULATION WITH FOIL FACING
- HB - HANGER BRACKETS

OPTIONAL HANGER BRACKETS
2 OPPOSITE CORNERS



- ARC - PRESSURE RELIEF COLLAR (SHIPPED LOOSE)
(ALSO SEE SUBMITTAL 268238)



NOTES:

- FACTORY DEFAULTS:
SET TO 74°F (23°C) WITH STANDARD RANGE
COOLING SET TO 80°F (26.5°C) WITH HCSP, HCLH
HEATING SET TO 68°F (20°C) WITH LHSP, HCLH
- FACTORY TOLERANCE ±1/16" (2mm)

NOTE - METRIC DIMENSIONS HAVE BEEN ROUNDED TO THE NEAREST MILLIMETER

PROJECT:

ENGINEER:

CUSTOMER:

SUBMITTAL DATE:

SUBMITTAL NO: **268789**

REV 0

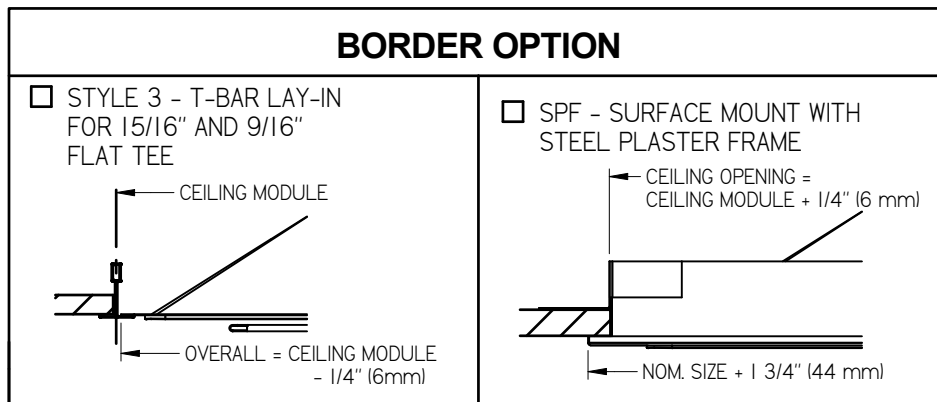
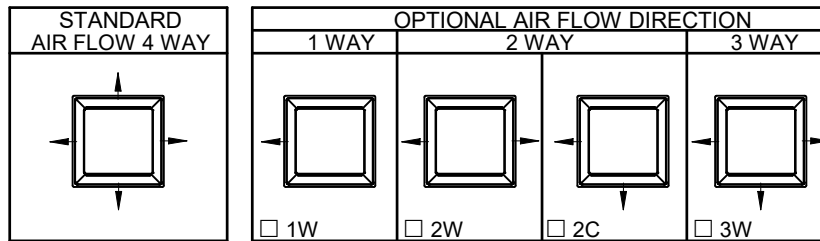
TK
VAV DIFFUSER
W/ BLADE DAMPER

2017/08/24

© Copyright 2017

SHEET 1 OF 2

TK - Therma-Fuser™ VAV DIFFUSER
 Thermal 12⁷/₈" / 300mm / 325mm Square Plaque Diffuser With Blade Dampers



NOTE - METRIC DIMENSIONS HAVE BEEN ROUNDED TO THE NEAREST MILLIMETER

PROJECT:

SUBMITTAL NO: **268789**

ENGINEER:

REV 0

CUSTOMER:

TK
**VAV DIFFUSER
 W/ BLADE DAMPER**

SUBMITTAL DATE:

2017/08/24

© Copyright 2017

SHEET 2 OF 2