

THERMA-FUSER™

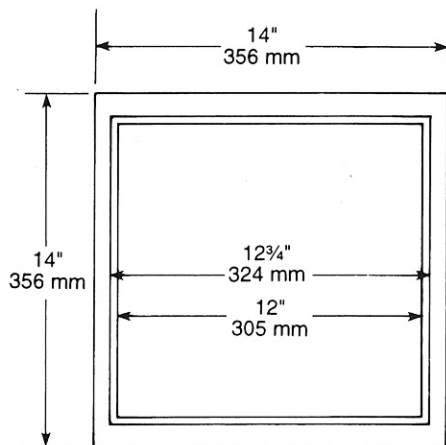
THERMALLY POWERED VAV MODULE



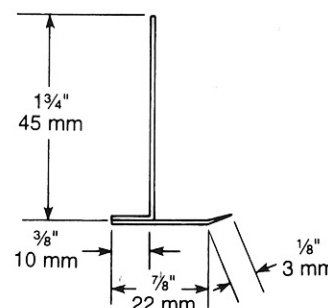
MODULAR VAV SYSTEMS

CEILING FRAMES TK-HC, TN-CW, TN-C

HARD CEILING FRAME

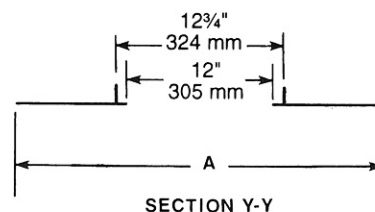
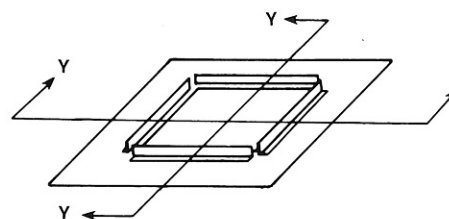


Dimensions of the ceiling opening should not be smaller than 12 7/8" square and no larger than 13 1/2" square.



LAY IN CEILING FRAMES

Ceiling Type	A
20" x 20" LAY IN	19 3/4"
500 x 500 mm LAY IN	495 mm
24" x 24" LAY IN	23 3/4"
600 x 600 mm LAY IN	595 mm



REGULAR CEILING FRAMES

Designation	T1E	T2E	T1M	T2M
Description	Reveal edge/ 3/16" T-Bar & Donn Fineline	Reveal edge 1" T-Bar	600 x 600 mm Reveal edge 14 mm T-Bar	600 x 600 mm Reveal edge 25 mm T-Bar
T-Bar width	3/16"	1"	14 mm	25 mm
A	23 13/16"	23 13/16"	595 mm	595 mm
B	1 1/32"	1 9/32"	9 mm	10 mm
C	23 19/16"	22 7/8"	583 mm	572 mm

